

ETX-2i

IP and Carrier Ethernet
Demarcation with D-NFV



Part of RAD's Service Assured Access solutions, the ETX-2i line of next-generation NID/NTUs offers advanced demarcation for SLA-based L2 and L3 business services, wholesale services and mobile backhaul. The ETX-2i is MEF Carrier Ethernet 2.0-certified and offers a complete service life-cycle toolset. The ETX-2i offers a variety of products supporting 1-GbE, 10-GbE and 100-GbE connections.

The ETX-2i also serves as a Universal CPE (uCPE), Whitebox+, which enhances a pluggable x86 server module with plugware to enable superior performance for vCPE applications. It is supported by RADview management and orchestration.



Part of
RAD's Service Assured
Access Solutions



Your Network's Edge®

ETX-2i

IP and Carrier Ethernet Demarcation with D-NFV

Key Takeaways:

- Hybrid white box platform (**Whitebox+**) with embedded physical network functions (PNFs – routing, NID, tunneling, performance monitoring) in a single device to optimize inventory
- Full suite of Carrier Ethernet demarcation and aggregation capabilities, up to 100 GbE rates
- Powerful, carrier-class operating system uses interoperable NETCONF protocol, allowing service providers to control all devices and functions
- Wire-speed networking performance while preserving CPU resources for instantiation of additional VNFs
- Preserves established network operations procedures

Use ETX-2i for:



vCPE

Carrier Ethernet and IP VPNs

Performance Monitoring for Business VPNs



Mobile Backhaul

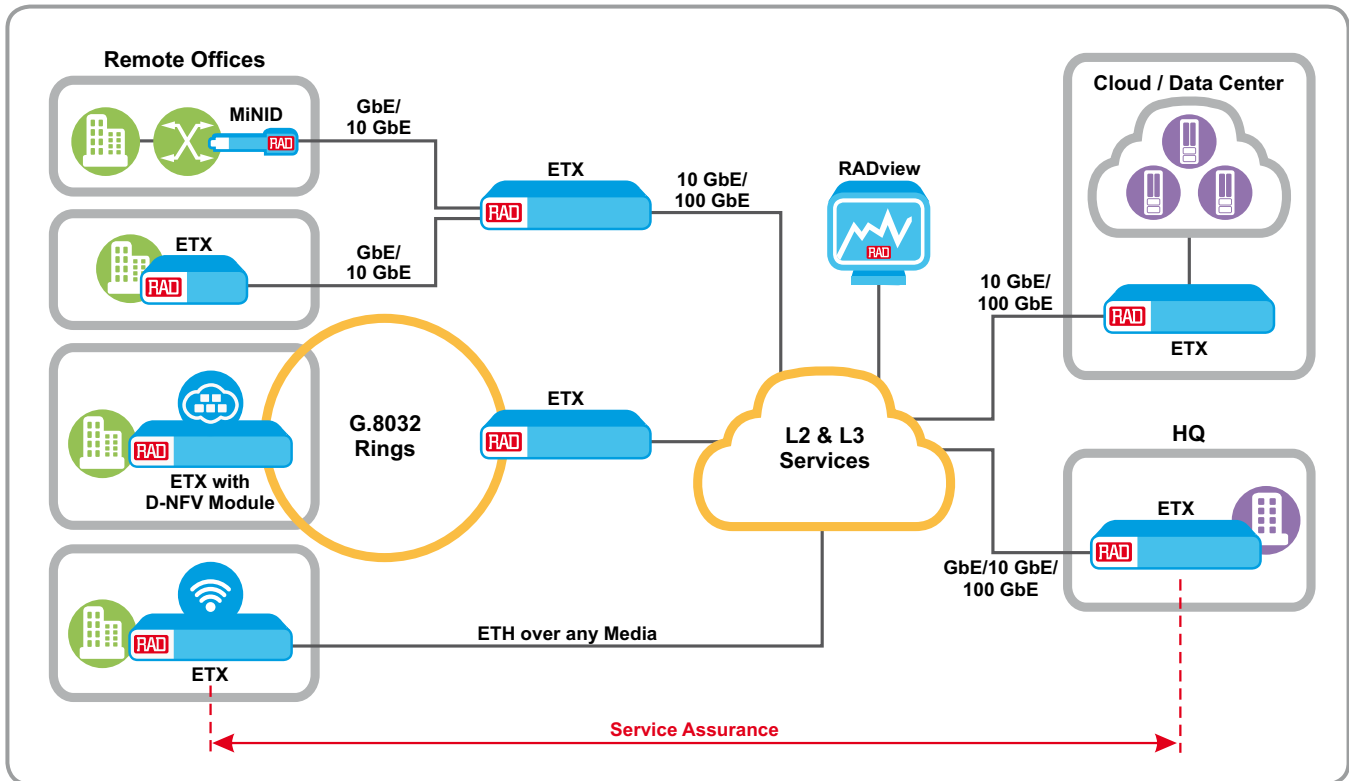


Wholesale Networking



First Responders and Military Communications

vCPE for Business and Wholesale Services



Quick Specs for ETX-2i Ordering Options:

ETX-2i: IP and Carrier Ethernet Demarcation Device with D-NFV

- Up to eight 1-GbE combo ports
- Integrated wire-speed switch/router
- Modular network interfaces: FE/GbE (combo), E1/T1, T3, VDSL2, or SHDSL
- Flexible synchronization offering Sync-E, IEEE 1588v2 slave, BC and TC for frequency and phase synchronization in mobile networks
- Hot-pluggable x86 D-NFV server module for hosting virtual functions
- NEBS-compliant and environmentally hardened enclosure options
- 3U device with six GbE combo ports and 64 x E1/T1, offering high scale, cost-effective TDM over packet services



ETX-2i-B: IP and Carrier Ethernet Demarcation Device with D-NFV for SMBs

- 1U device with up to 10 x 1-GbE ports
- Fan-less 2U device with up to 10 x 1-GbE ports, ideal for cost-effective small-cell aggregation
- Integrated 6-Gbps switch/router
- Pluggable x86 D-NFV server module for hosting virtual functions (1U device)



ETX-2i-10G: 10G Carrier Ethernet Demarcation/Aggregation Device

- 19", 1/2 19" units with multiple 10-GbE and 1-GbE ports in various combinations
- Flexible synchronization offering Sync-E, IEEE 1588v2 slave, BC and TC for frequency and phase synchronization in mobile networks
- ITU-T G.8032 Ethernet Ring Protection Switching
- NEBS-compliant and environmentally hardened enclosure options

ETX-2i-100G: 100 GbE Carrier Ethernet Demarcation Device

- 19", 1U with three 100-GbE interfaces and 10 1/10-GbE SFP+ ports
- Advanced QoS with hierarchical policing and bandwidth shaping per EVC and EVC.CoS
- Accurate and scalable hardware-based OAM and PM (Y.1731, TWAMP)
- Y.1564 service activation testing at wire-speed

ETX-2i vCPE Applications

The ETX-2i features an x86-based D-NFV module for hosting virtual functions (VFs) and applications. The D-NFV module runs on vCPE-OS, which includes standard KVM hypervisor compute node to support third-party applications. RADview Domain Orchestrator enables easy VF download. Supported applications include:

SD-WAN

Software-defined control of WAN connections with secure overlay tunnels for business services

Router

Virtual router for hosted public clouds and branch CPE deployments

Cryptography

Standard AES 256-bit cipher encryption/decryption of L2-L4 traffic

Firewall

Unified threat management for provider-managed SMB services

Session Border Controller (SBC)

Manages VoIP signaling and media flows

Packet Analyzer

Troubleshooting on demand from the customer edge using a packet sniffer VF

WAN Optimization

Eliminates content duplication, handles compression and optimizes latency

Contact your local RAD distributor for additional/new application information



www.rad.com

Specifications are subject to change without prior notification. The RAD name, logo and logotype are registered trademarks of RAD Data Communications Ltd. RAD product names are trademarks of RAD Data Communications Ltd. ©2019 RAD Data Communications. All rights reserved. Catalog number 802724 Version 1/19